

## TREATMENT PLANT APPROVAL 23/2021

### *Plumbing and Drainage Act 2018*

#### Approval

1. The **FujiClean ACE 3000 (20EP/3000L)** (“the system”) described in the Specifications and Drawings in the attached Schedule and manufactured by **FujiClean Australia Pty Ltd** (“the manufacturer”) (ABN 74 129 181 317) has been assessed in accordance with the Queensland Plumbing and Wastewater Code (QPW Code) dated 26 March 2019.
2. Approval is granted for the advanced secondary quality wastewater treatment system, subject to compliance by the manufacturer with the requirements of the *Plumbing and Drainage Regulation 2018*, and the conditions of approval detailed below.
3. This approval, the conditions of approval and the Schedule comprise the entire Treatment Plant Approval document.
4. Any modification by the manufacturer to the design, drawings or specifications scheduled to this approval must be approved by the Chief Executive.

#### Conditions of approval

5. The manufacture, installation, operation, service and maintenance of the systems must be in conformity with the conditions of this Treatment Plant Approval.
6. The system when tested by a certification accreditation body in accordance with AS1546.3:2017 was found to comply with the advanced secondary 20EP/3000L level with nutrient reduction of 61.25% in Nitrogen and 6.49% for Phosphorus and must continue to meet the following requirements:

**TABLE 2.1 (AS1546.3:2017)**  
**EFFLUENT COMPLIANCE CRITERIA**  
**FOR AN STS WITH NO NUTRIENT**  
**REDUCTION FACILITIES**

Parameter	Secondary effluent		Advanced secondary effluent	
	90% of samples	Maximum	90% of samples	Maximum
BOD <sub>5</sub>	≤20 mg/L	30 mg/L	≤10 mg/L	20 mg/L
TSS	≤30 mg/L	45 mg/L	≤10 mg/L	20 mg/L
<i>E. coli</i> *	≤10 cfu/100 mL	30 cfu/100 mL	≤10 cfu/100 mL	30 cfu/100 mL
FAC	Minimum 0.5 mg/L†	N/A	Minimum 0.5 mg/L†	N/A
Turbidity	N/A	N/A	N/A	5 NTU

\* Where disinfection is required.

† Minimum level, not 90% of samples.

7. Each system must be serviced in accordance with the accreditation certificate by Global Certification Pty Ltd on 14 February 2021, and details supplied in the owner's operation and maintenance manual.
8. Each system must be supplied with —
  - (a) a copy of this Treatment Plant Approval document;
  - (b) details of the system;
  - (c) instructions for authorised persons for its installation;
  - (d) a copy of the owner's manual to be given to the owner at the time of installation; and
  - (e) detailed instructions for authorised service personal for its operation and maintenance.
9. At each anniversary of the Treatment Plant Approval date, the supplier must submit to the Chief Executive a list of all systems installed in Queensland during the previous 12 months. Where the Chief Executive is notified of any system failures the Chief Executive may randomly select a number of installed systems for audit. The Chief Executive will notify the supplier's nominated NATA accredited laboratory which systems are to be audited for BOD<sup>5</sup> and TSS. The sampling and testing of selected systems, if required, is to be done at the supplier's expense. The following results must be reported to the Chief Executive;
  - (a) Address of premises;
  - (b) Date inspected and sampled;
  - (c) Sample identification number;
  - (d) BOD<sup>5</sup> for influent and effluent; and
  - (e) TSS for influent and effluent.
10. The Chief Executive may, by written notice, cancel this approval if the manufacturer/supplier fails —
  - (a) to comply with one or more of the conditions of approval; or
  - (b) within 30 days, to remedy a breach, for which a written notice been given by the Chief Executive.
11. This approval may only be assigned with the prior written consent of the Chief Executive.
12. This approval expires on 11 November 2026 unless cancelled earlier in accordance with paragraph 10 above.

**Lindsay Walker**  
**Director**  
**Plumbing, Drainage and Special Projects**  
**Building Legislation and Policy**  
Date approved: 12 November 2021

Level 7,  
63 George Street Brisbane  
GPO Box 2457, Brisbane Qld 4001  
**Telephone** +61 7 3008 2557  
**Facsimile** +61 7 3237 1248  
**Website** [www.hpw.qld.gov.au](http://www.hpw.qld.gov.au)

ABN 61 331 950 314



**TREATMENT PLANT APPROVAL No. 23/2021**  
*Plumbing and Drainage Act 2018*

**SCHEDULE**

**Attachment 1**

Drawings and Specifications for the

**FujiClean ACE 3000**

**Treatment Plant Approval**

Approved by: Lindsay Walker

Delegated Authority

Department of Energy & Public Works

# PRODUCT CERTIFICATE OF REGISTRATION



## Global Certification Pty Ltd

Number 649

Product Performance Testing

AS 1546.3:2017

Advanced Secondary 3000 L/day or 20EP Level with a reduction of 61.25% for Nitrogen and 6.49% for Phosphorus

Issued to

**FujiClean Australia Pty Ltd**

Unit 2, 176 Siganto Drive Helensvale Qld 4212

Certification Date: - 14 February 2021 Expiry Date: - 14 February 2026

Product Certified:

Model	Disinfection	Average Results over the Test Period	Servicing Frequency	Discharge	Manufactured and assembled
FujiClean ACE 3000	Yes	TSS 4.98mg/l BOD5 1.29mg/l E coli 0.20 CFU/100ml Nitrogen 29.37mg/l Phosphorus 10.66mg/l	3 Monthly Service  2.3 yearly sedimentation pump out or as required	Pumped via disinfection/pump chamber with chlorine dispenser	Manufactured and Assembled at 59 Computer Road Yatala Qld 4207 or 37 Wells Road, Mordialloc, VIC 3195

The system took 1 week to meet the advanced secondary standard.  
No additives apart from Chlorine for disinfection was added to the system during testing.  
The tanks are certified to AS/NZS 1546.1:2008

NACE CODES: 3700

*This Certificate of Conformance to the Product Certificate Scheme for "Domestic Wastewater Treatment Units (Septic Tanks) and Rainwater Tanks" remains the property of Global Certification Pty. Ltd. and is granted subject to the terms and conditions of the Contract Application, in respect of the Product certified on this page and the attached schedule to the Certification of Conformance, bearing the same number as this certificate.*

### Treatment Plant Approval

Approved by: Lindsay Walker  
Delegated Authority  
Department of Energy & Public Works



Bruce Smith Director

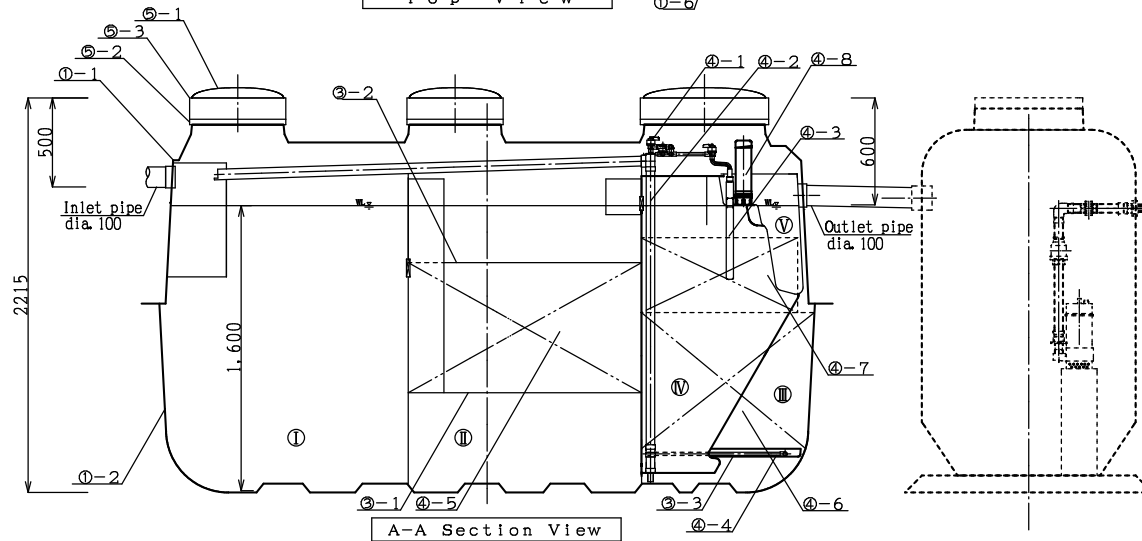
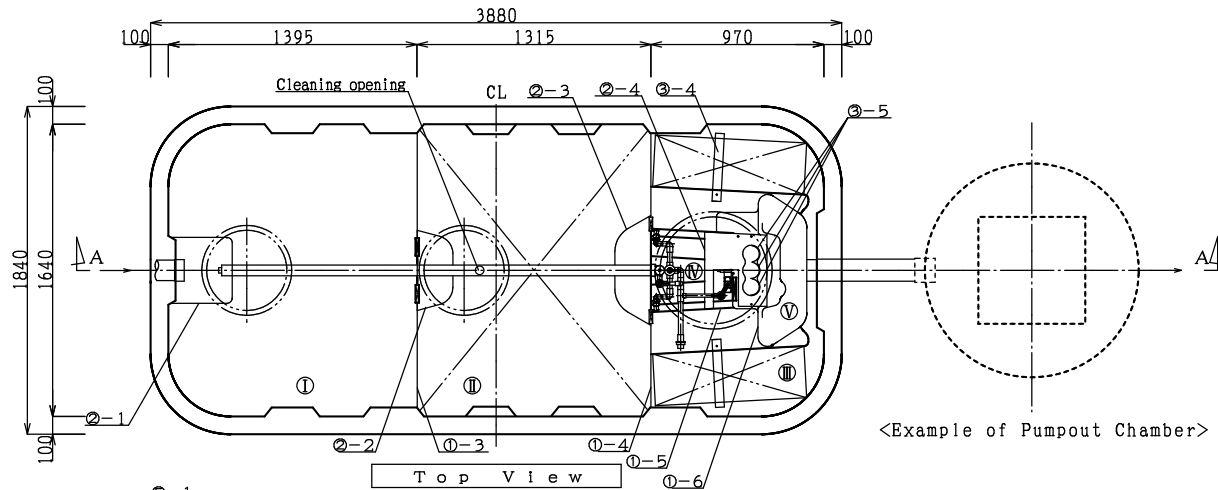


[www.jas-anz.com.au/register](http://www.jas-anz.com.au/register)

Date of Issue: 12 March 2021

Signed for and on behalf of Global Certification Pty Ltd  
PO Box 953 Belconnen ACT 2616

# <FujiClean ACE3000 Standard System>



①- 1	Upper Shell
①- 2	Lower Shell
①- 3	Partition A
①- 4	Partition B
①- 5	Clarification Chamber Unit
①- 6	Disinfection Chamber Unit
②- 1	Inflow Baffle
②- 2	Outflow Baffle
②- 3	Scum Baffle A
②- 4	Scum Baffle B
③- 1	Anaerobic Chamber Support Frame
③- 2	Anaerobic Chamber Suppress Frame
③- 3	Aerobic Chamber Support Frame
③- 4	Aerobic Chamber Suppress Frame
③- 5	Chlorinate Clylinder Stand
④- 1	Air Supply Pipe Kit
④- 2	Recirculation Air-lift Pump
④- 3	Effluent Air-lift Pump
④- 4	Aeration Pipe
④- 5	Spherical-skeleton Media
④- 6	Net-hollow-cylindrical Media
④- 7	Net-block Media
④- 8	Chlorinate Cylinder
⑤- 1	Domed Lid
⑤- 2	Riser to Tank Adaptor
⑤- 3	Round Riser 150mmH

I	Sedimentation Chamber	3.169m <sup>3</sup>
II	Anaerobic Filtration Chamber	3.177m <sup>3</sup>
III	Aerobic Contact Filtration Chamber	1.431m <sup>3</sup>
IV	Clarification Chamber	0.703m <sup>3</sup>
V	Disinfection Chamber	0.044m <sup>3</sup>

(Adding)  
 \*FujiClean ACE3000 should be installed with a suitably sized pumpout chamber as it is not included in the main vessel.

**Treatment Plant Approval**

Approved by: Lindsay Walker  
 Delegated Authority  
 Department of Energy & Public Works

- Please ensure to choose a pump chamber that can give a volume of 900 litres or more between the high water level and bottom of inlet of the pump chamber.
- The pump chamber must also be certified to AS1546.1.

Name		FujiClean ACE3000			
		Overall view			
Designed date	Design	Check	Number	Scale	
Oct ·2019	S. Sasada	H. Igara		1:30	
FujiClean Co., Ltd.					